

Diagram for layout of Exhaust Blower

Alternate positions for Blower exhaust system
 Located in any position adjacent to side or rear wall

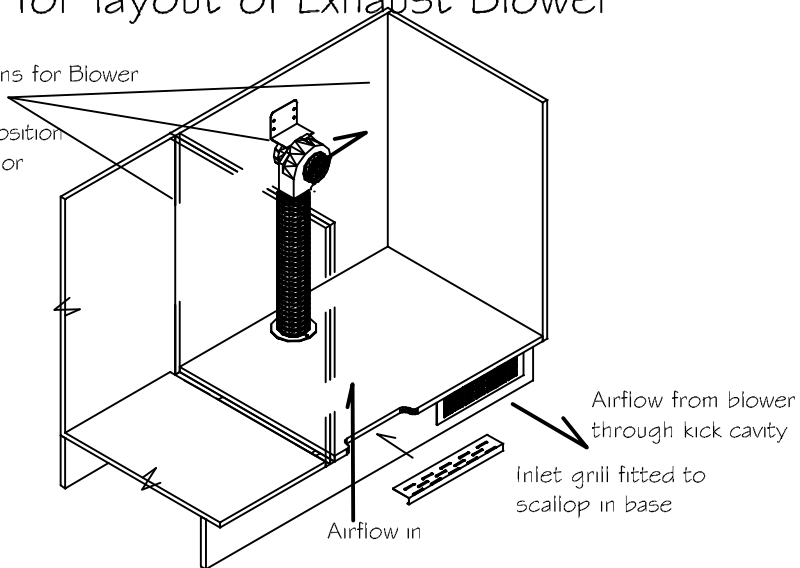
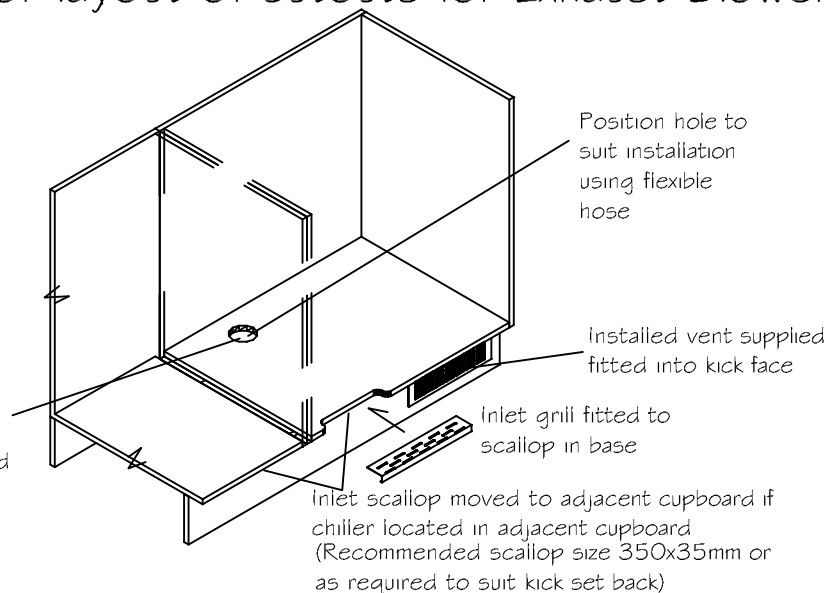
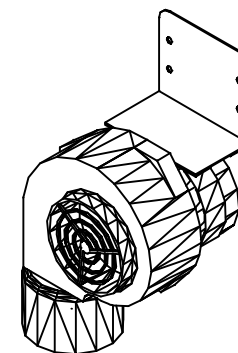


Diagram for layout of cutouts for Exhaust Blower

Minimum 75mm hole in base of cupboard for 65mm flange (flange to be centred over hole)

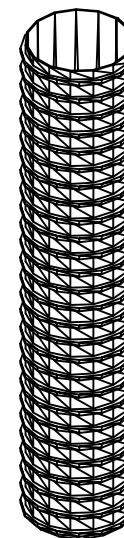


Exploded Diagram of Exhaust Blower



AC Centrifugal Blower

Plumber to push pipe over fan duct adaptor



Flexible hose cut to fit between blower and flange

76mm internal dia flexible hose

Flange and hose sealed with silastic by plumber

Floor flange sealed and screw to cupboard floor



65mm flange

NOTES:

COPYRIGHT © 2009 WATERPLUS

LOGO: Terry Kimber
 1 Coates Place
 WESTON A.C.T. 2611
 62882620 (w)
 0401 636 888 (m)

DRAWING TITLE: EXHAUST BLOWER FLEXIBLE PIPE

CLIENT NAME: WATERPLUS

SCALE: NTS		
DATE DRAWN: 21/10/2009	DRAWN BY: TK	CHECKED BY:
DRAWING NUMBER:	ISSUE: A	SHEET: 1
CAD FILE: Exhaust pump assembly.dwg		